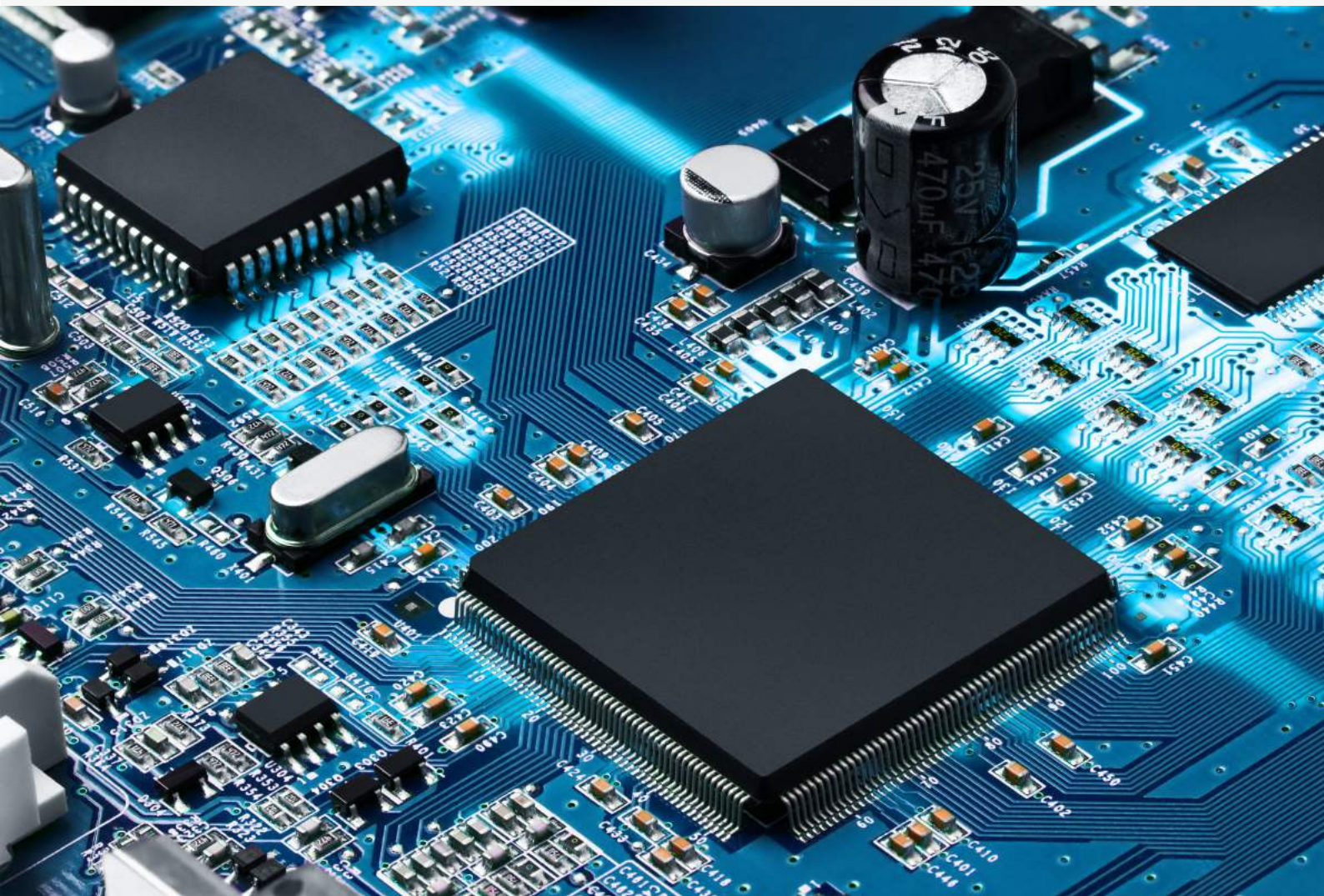


# HAiKAi

Xiamen HAIKAI New Technology Co., Ltd.

## Battery Management System (BMS)





# About HAIKAI

**We are a specialist manufacturer of energy storage systems and backup power solutions** for industrial (behind-the-meter), commercial, and residential scenarios. We are capable of design and manufacturing BMS, Pack, integrated energy storage solutions (BMS + Pack), and customized production.

Based in China, we have more than 10 years of experience in the backup power industry. With strong R&D, reliable quality, and effective supply chain management, we excel at tackling complex technology challenges and delivering high-quality solutions at scale to help our customers realize greater value.

## **HAIKAI's OEM and ODM Specialties**

- Battery Management System (BMS)
- Customized Battery Pack
- Industrial Energy Storage System (ESS for UPS, DC cabinet, standalone customized systems)
- Energy Storage System for EV Charging Station
- Residential and Commercial Energy Storage System

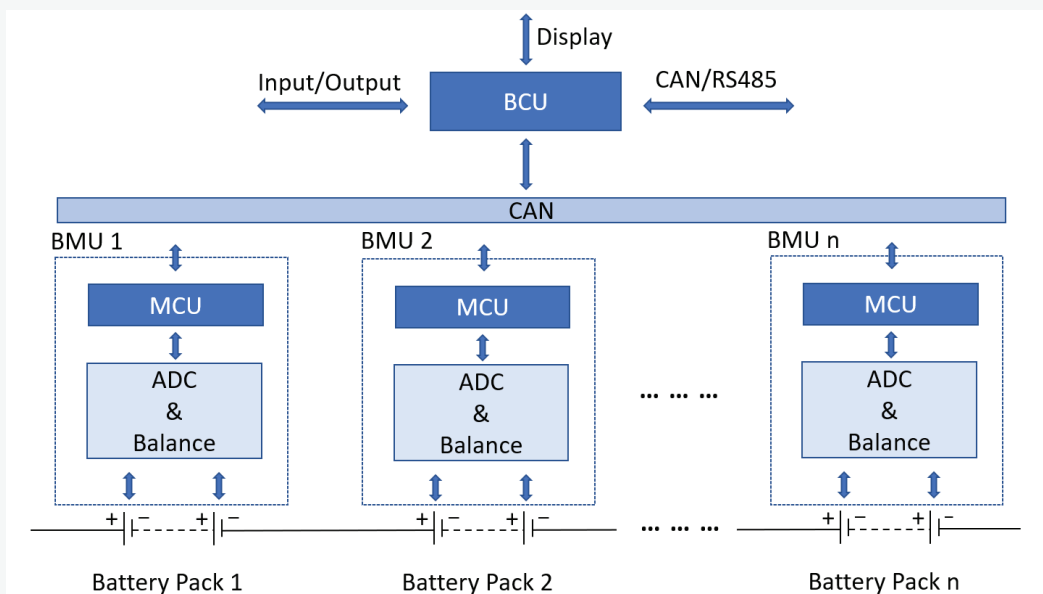
## **Our Strengths**

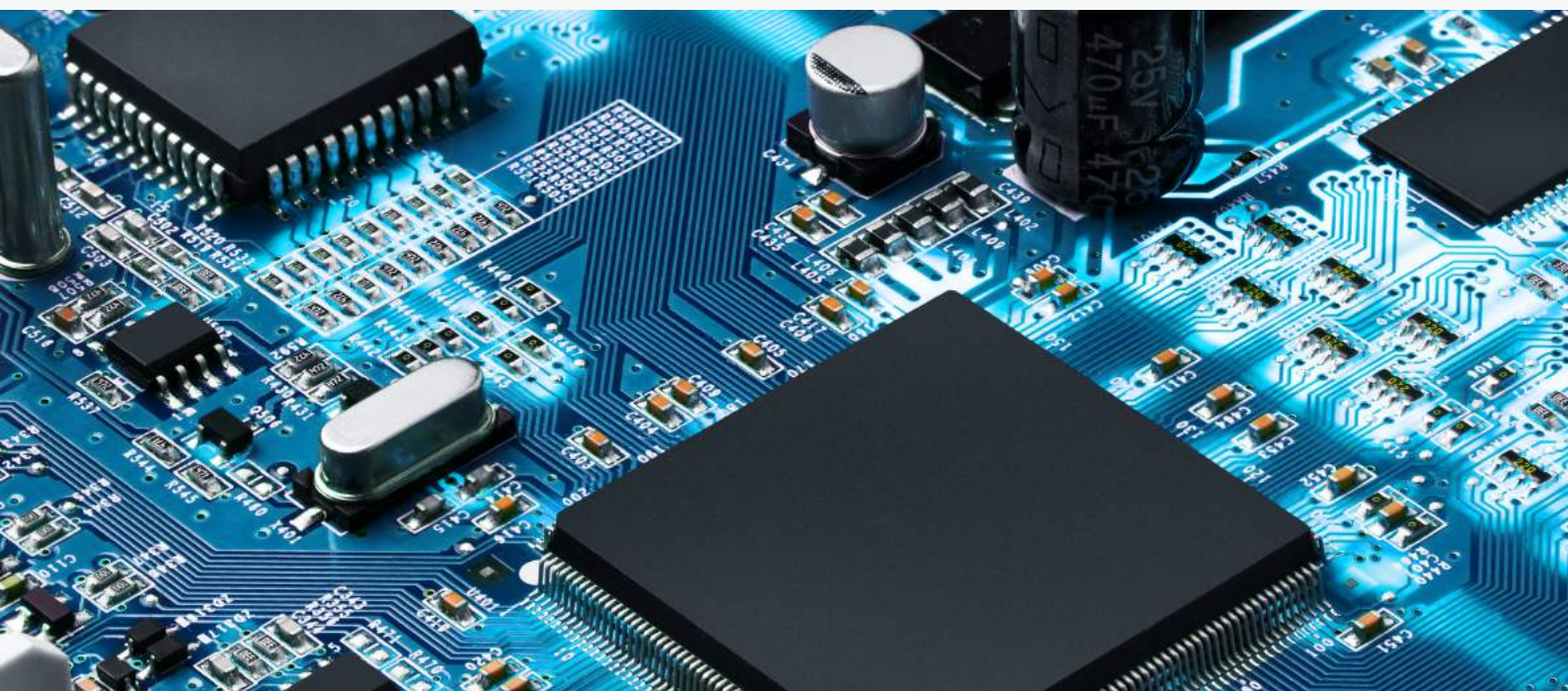
HAIKAI has been awarded over 20 patents for our innovation, utility models, software, and more. Our cutting-edge R&D team is led by Ph. D. researchers and globally educated experts from world-class institutions to provide the most professional support for your projects. We have complete equipment such as automatic vision positioning laser welding, programmable temperature & humidity test chamber to support PACK production, cabinet assembly, and comprehensive machine testing. Our manufacturing line follows the standard of ISO 9001 and Six Sigma under fully implemented ERP and MES process control.

We follow rigorous and standardized production management to guarantee the best lead time and product quality, from order generation, production to delivery. We also accept customization to provide flexibility for your projects. Having partnered with multiple well-known companies, we source the most suitable and trusted materials for your projects at the best cost.

# HAITAI Battery Management System (BMS)

BMS (BCU)	Maximum number of supported modules (number of BMUs)	14 Series
	Maximum supported DC voltage	750V
	Maximum sustained discharge current	600A
	Recommended operating temperature	10°C~45°C
	Total voltage measurement	±1% @ DC20V ~ DC900V
	Total current measurement	±1% @ 0.5A ~ 1000A
	Working environment temperature of battery pack	Charging: 0°C~+55°C Discharging: -20°C~+55°C
	Communication interface	RS485, Dry contact (optional CAN)
BMS (BMU)	Maximum number of voltage samples	18 Series
	Voltage measurement accuracy	±5mV
	Temperature measurement	4 Channels
	Temperature measurement range	- 20°C~150°C
	Measurement accuracy	±2°C (0 ~80°C)
	Balanced approach	Passive balance / Active balance
	Cooling mode	Forced air cooling / Passive cooling
	SOC Scope of work	5%~100%
	SOC Estimation accuracy	Less than 5%





# HAiKAi

No. 289, Wengjiao Road, Xinyang Industrial Park, Haicang District, Xiamen, China

Contact:

+86 (592) 651 6500

[crz@xmhtxn.com](mailto:crz@xmhtxn.com)

WhatsApp : +66 850475500

WeChat : Filmykul

Xiamen HAIKAI New Technology Co., Ltd.

[www.haikai-energy.com](http://www.haikai-energy.com)